 **KALORIK**



**Blender**

**Batidora de Vaso**

[www.KALORIK.com](http://www.KALORIK.com)

**USK BL 24242/BL 25280**

**120V~60Hz 500W**

# **EN OPERATING INSTRUCTIONS**

## **IMPORTANT SAFEGUARDS**

When using your appliance, basic safety precautions should always be followed, including the following:

### **1. READ ALL INSTRUCTIONS**

2. Check that your mains voltage corresponds to that stated on the rating plate of the appliance before using the appliance.
3. To protect against electrical shock do not immerse cord, plug, or the motor unit in water or other liquid.
4. Close supervision is necessary when the appliance is used by or near children.
5. Unplug from outlet when not in use and before putting on or taking off parts or before cleaning.
6. Do not operate any appliance with a damaged cord or plug or after the appliance malfunctions or has been damaged in any manner. Return appliance to the nearest authorized service facility for examination, repair, or adjustment.
7. The use of accessory attachments, including the pouring jar, not recommended by the appliance manufacturer may cause injuries.
8. Do not use outdoors.
9. Do not let cord hang over edge of table or counter or touch hot surfaces.
10. Do not place on or near a hot gas or electric burner, or in a heated oven.
11. Always attach plug to appliance first, then plug cord into the wall outlet. To disconnect remove the plug from the wall outlet.
12. Do not use appliance for other than intended use.
13. This kind of appliance cannot function continuously, it is not a professional type of appliance. It is necessary to make temporary stops. Check the section "Important information" in the instruction manual.
14. It is absolutely necessary to keep this appliance clean at all times as it comes into direct contact with food.
15. The pouring jar should be assembled correctly on the motor base before you plug it into the mains. The appliance is equipped with

a safety, which prevents the pouring jar from working if it is not assembled correctly. Furthermore the pouring jar should be locked so that the appliance can work.

16. The appliance is designed for the preparation of small quantities of food, which have to be consumed rather quickly. It is not designed for the preparation of large quantities at once.
17. Keep hands and utensils out of container while blending to reduce the risk of severe personal injury and/or damage to blender. A rubber spatula may be used but must be used only when blender is not running.
18. Do not use a broken, chipped or cracked blender jar.
19. To reduce the risk of injury, never place the cutting unit blades on base without jar properly attached. Blades are sharp, handle with care.
20. Always operate the blender with cover in place.
21. Always close the jar with the lid before starting mixing. When mixing hot liquid, do not fill more than 2/3 of the jar and be very careful in order to avoid splashing of hot liquid, otherwise you can get burned. Do not forget to close the feeding hole of the pouring jar with the cap.
22. Screw on blade assembly firmly. Injury can result if moving blades accidentally become exposed.
23. Do not leave blender unattended while it is operating.
24. To disconnect, press the ON/OFF key, then remove the plug from wall outlet.

## SAVE THESE INSTRUCTIONS

### POLARIZED PLUG INSTRUCTIONS

Some appliances are equipped with a polarized plug (one blade is wider than the other). To reduce the risk of electric shock, this plug will fit into the polarized outlet only one way. If the plug does not properly fit into the outlet at first, reverse it. If it still does not fit, contact a competent qualified electrician. **Do not attempt to modify the plug in any way.**

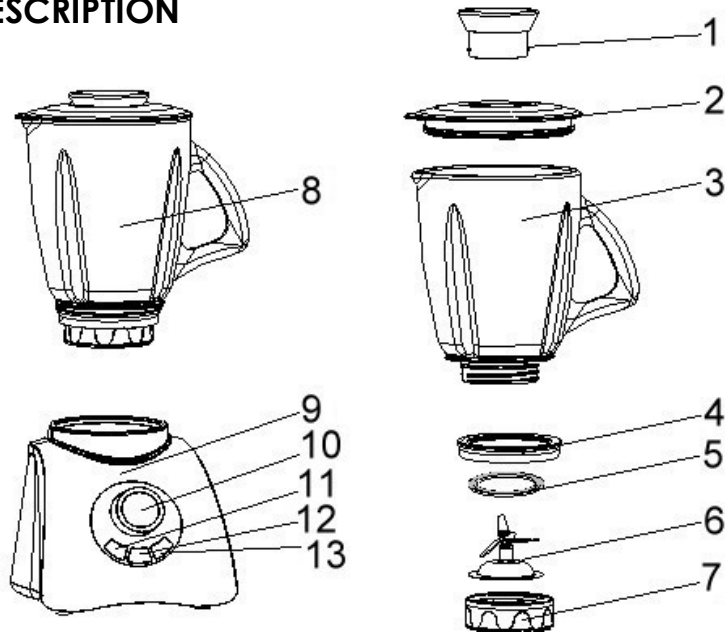
For appliances equipped with a standard plug, simply insert the plug into the outlet without paying attention to the way you plug it.

## SHORT CORD INSTRUCTIONS

A short power supply cord is provided to reduce the hazards resulting from becoming entangled in, or tripping over a longer cord. Extension cords may be used if care is exercised in their use.

- The electrical rating of the extension cord should be at least that of the appliance. If the electrical rating of the extension cord is too low, it could overheat and burn.
- The resulting extended cord should be arranged so that it will not drape over the counter top or tabletop where it can be pulled on by children or tripped over.

## PART DESCRIPTION



- |                  |                               |
|------------------|-------------------------------|
| 1. Measuring cap | 8. Jug assembly               |
| 2. Lid           | 9. Motor block                |
| 3. Glass jug     | 10. Rotary speed control knob |
| 4. Press ring    | 11. Pulse button              |
| 5. Sealing ring  | 12. Ice button                |
| 6. Cutting blade | 13. Smoothie button           |
| 7. Jar base      |                               |

## IMPORTANT INFORMATION

This appliance is not for professional use. You should follow the requested breaks. Failure to follow this instruction carefully may result in damage to the motor. The maximum continuous usage time is 3 minutes. After 3 minutes of continuous use, you should insert a break of at least 10 minutes.

## ASSEMBLY OF THE BLENDER AND USE

### **CAUTION!**

Your appliance is fitted with a security device allowing the functioning of the appliance only when the jar is correctly placed on the motor block. If the jar is correctly positioned and the appliance does not start, call your after sales service.

***If the blade is disassembled from the bottom of the jar, check the cleaning section for mounting instructions before continuing.***

- Press the press ring into the bottom of glass jar.
- Put the silicone sealing ring carefully on the inner edge of the blade unit.
- Put the blade unit with sealing ring into the jar base.
- Assemble the pouring jar on jar base of the motor block by turning it clockwise and make sure it is correctly positioned, otherwise the appliance will not work.
- Remove the lid of the blender.
- Fill the pouring jar with the chosen ingredients.
- Close the lid. Place the measuring cap into the hole of the lid and turn clockwise to lock.
- Plug in the appliance.
- Choose the mixing speed with the rotary button on the motor base.

### **Pulse function**

The position "P" (Pulse) is particular because the button has to be kept manually. This position is generally used to crush ice in order to avoid damages on the blades, but it can also be used to complete the mixing. The blender runs in high speed as long as you push the

button. This button is only intended for short powerful bursts, not continued use. You might damage your appliance is using the "Pulse button" continuously.

### **Smoothie function**

Press "smoothie button", the blender keeps on running in high speed. After pressing the "smoothie button" again, the blender will stop working and all the three indicator lamps will flash.

### **Ice crushing function**

Your blender is equipped with six blades and is perfectly adapted to ice crushing. Press the "ice button", the blender runs in 1 second blending and 0.5 second stop cycles, the pilot light is ON (the other two indicator lamps are OFF). Once the desired level of grinding is achieved, press the "ice button" again, the motor will stop working and all the three indicator lamps will flash.

Note : These three push buttons can be pushed at wish, no matter what situation it is running. The rotation speed is factory set for each function, and the rotary speed control is disabled in case the automatic functions such as "Ice Crushing" or "Smoothie" are selected. The Blender always runs in high speed in such situation.

- It is also possible to add liquids or other ingredients anytime without stopping the appliance. You only have to remove the cap, which closes the feeding opening by turning and raising it straight up.
- Once you have finished the preparation, stop the appliance and unplug the appliance.
- Remove the jar from the base. Then remove the lid and pour the liquid in the desired receptacle.

### Manual Speed setting

Turn the rotary knob from "MIN" position to "MAX" position to select the desired speed. The blender runs from low speed to high speed.

In manual speed setting, the "ice button", "smoothie button" and "pulse button" are disabled

- Blender stops running if the current is above the limitation and the pilot light of "pulse button" flashes, press "pulse button" again and the appliance resume working.
- No matter in what mode the blender is working, just lift glass jug from the motor block to stop the appliance. To resume operating the blender, **set the speed rotary knob back to "off" position**, replace the jug, select the "On" position and choose the function or turn the rotary knob to select speed.

## HOW TO CLEAN

- Always unplug from outlet before cleaning.
- For a quick rinsing of the pouring jar (for example between two preparations), you can use clear water and switch on your appliance for a few seconds. In this case, do not use any detergent.
- For a full cleaning of the pouring jar, remove it from the motor block and unscrew the base of the blade assembly by turning it anti-clockwise to disassemble it (this will make the cleaning easier). Then you can clean the blades and the jar with soapy water and rinse thoroughly with clear water. Dry before assembling. Therefore you only have to screw the blades support by turning it clockwise in the bottom of the pouring jar (tighten vigorously in order to avoid leaks). Attention, do not lose the sealing ring during this operation.
- You can wipe the motor block with a soft damp cloth.
- **IMPORTANT** : the borosilicate jar of your blender is designed to support sudden temperature variations up to 50°C / 125°F. After preparing an icy preparation, it is important to avoid cleaning the jar with very hot water immediately afterwards, or the glass may shatter. Likewise, after preparing a hot preparation like soup, please do not rinse with very cold water immediately afterwards.

## WARRANTY

We suggest that you complete and return the enclosed Product Registration Card promptly to facilitate verification of the date of original purchase. However, return of the Product Registration Card is not a condition of these warranties. You can also fill this warranty card online, at the following address: [www.KALORIK.com](http://www.KALORIK.com)

This KALORIK product is warranted for 1 year from the date of purchase against defects in material and workmanship. This warranty is not transferable. Keep the original sales receipt. Proof of purchase is required to obtain warranty performance.

During this period, the KALORIK product that, upon inspection by KALORIK, is proved defective, will be repaired or replaced, at KALORIK's option, without charge to the customer. If a replacement product is sent, it will carry the remaining warranty of the original product.

This warranty does not apply to any defect arising from a buyer's or user's misuse of the product, negligence, failure to follow KALORIK instructions noted in the user's manual, use on current or voltage other than that stamped on the product, wear and tear, alteration or repair not authorized by KALORIK, or use for commercial purposes. There is no warranty for glass parts, glass containers, filter basket, blades and agitators, and accessories in general. There is also no warranty for parts lost by the user.

ANY WARRANTY OF MERCHANTABILITY OR FITNESS WITH RESPECT TO THIS PRODUCT IS ALSO LIMITED TO THE ONE YEAR LIMITED WARRANTY PERIOD

Some states do not allow limitation on how long an implied warranty lasts or do not allow the exclusion of incidental or consequential damages, so the above limitations may not apply to you. This warranty gives you specific legal rights, and you may also have other rights which vary from state to state.



If the appliance should become defective within the warranty period and more than 30 days after date of purchase, do not return the appliance to the store: often, our Consumer Service Representatives can help solve the problem without having the product serviced. If servicing is needed, a Representative can confirm whether the product is under warranty and direct you to the nearest service location.

If this is the case, bring the product (or send it, postage prepaid), along **with proof of purchase** and indicating a **return authorization number** given by our Consumer Service Representatives, to the nearest authorized KALORIK Service Center (please visit our website at [www.KALORIK.com](http://www.KALORIK.com) or call our Customer Service Department for the address of the nearest authorized KALORIK Service Center). If you send the product, please include a letter explaining the nature of the claimed defect.

If you have additional questions, please call our Consumer Service Department (please see below for complete contact information), Monday through Friday from 9:00am - 6:00pm (EST). Please note hours are subject to change.

If you would like to write, please send your letter to:

**KALORIK Consumer Service department**  
Team International Group of America Inc  
1400 N.W 159th Street, Suite 102  
Miami Gardens, FL 33169 USA

Or call :

Toll Free: +1 888-521-TEAM

**Only letters can be accepted at this address above. Shipments and packages that do not have a return authorization number will be refused.**

# **MANUAL DE INSTRUCCIONES**

## **CONSEJOS DE SEGURIDAD**

Cuando use algún aparato eléctrico siempre deben seguirse precauciones básicas de seguridad incluyendo las siguientes:

- 1. LEA TODAS LAS INSTRUCCIONES.**
2. Antes de utilizar el aparato, compruebe que el voltaje de la red eléctrica coincide con el indicado en la placa de datos técnicos del aparato.
3. Para protegerse contra una descarga eléctrica, no sumerja el aparato o el enchufe en agua o en otros líquidos.
4. Es siempre necesaria la supervisión cercana cuando este aparato sea utilizado cerca de niños. Este aparato no debe ser usado por niños.
5. Desconecte el aparato de la toma de corriente cuando la unidad no se encuentre en uso, para montar o desmontar accesorios o antes de limpiarla.
6. No opere este y ningún aparato si el cable o el enchufe están quemados o dañados, o después de que el aparato ha funcionado inadecuadamente, se ha caído o ha sido dañado en cualquier manera. El aparato debe ser reemplazado por el fabricante o por un centro de servicio autorizado o por una persona similar calificada.
7. El uso de accesorios, incluso los del vaso, que no sean los recomendados por el fabricante pueden causar incendios, descargas eléctricas o lesiones.
8. No use en exteriores
9. No permita que el cable cuelgue de la orilla de la mesa o del mostrador o toque las partes calientes.
10. No coloque este aparato cerca de quemadores de estufas de gas o eléctricas, o dentro de un horno caliente.
11. Enchufe siempre primero el cable al aparato y después en el enchufe de la red eléctrica. Para desconectar el aparato, desenchúfelo.
12. No use este aparato más que para lo que ha sido diseñado.
13. Este aparato no puede funcionar de manera ininterrumpida, no es un aparato profesional. Es necesario efectuar pausas a

intervalos regulares. Consulta el punto "Tiempo de utilización" en el manual de instrucciones.

14. Es indispensable guardar el aparato limpio, ya que está en contacto directo con el alimento.
15. Compruebe que el acoplamiento del vaso y el bloque motor se ha realizado adecuadamente antes de ponerlo en marcha. Si este acoplamiento no se ha realizado adecuadamente un dispositivo de seguridad impedirá que su aparato se ponga en marcha. Es decir el piñón del vaso y la muesca del bloque motor deben estar bien acoplados para que el aparato se ponga en marcha.
16. El aparato esta previsto para pequeñas cantidades de comida donde el consumo no debe ser demasiado tardío. No está concebido para la preparación de grandes cantidades a la vez.
17. Mantenga las manos y los utensilios fuera del vaso mientras el aparato esté en funcionamiento, para reducir el riesgo de lesiones personales severas y/o daños al aparato. Se puede usar una espátula de goma, pero únicamente cuando el aparato no esté funcionando.
18. No use el vaso si éste está roto, astillado o cuarteado.
19. Para reducir el riesgo de lesiones, nunca ponga las cuchillas de la unidad de corte sin que el vaso esté correctamente instalado en la base. Las cuchillas son filudas, manipúlelas con cuidado.
20. Siempre haga funcionar el aparato con la tapa puesta.
21. Cierre siempre el vaso antes de comenzar a batir. Cuando bata líquidos calientes no llene más de dos tercios del vaso y sea prudente para evitar las proyecciones, pues estas pueden provocar quemaduras. No se olvide de cerrar el tapón del vaso antes de poner el aparato en marcha.
22. Atornille firmemente el conjunto de cuchillas. Pueden producirse lesiones si las cuchillas en movimiento quedan accidentalmente expuestas.
23. No deje el aparato sin vigilancia mientras ésta esté funcionando.
24. Para desconectar el aparato, pulse el botón "0" y desenchufe el aparato.

## **GUARDE ESTAS INSTRUCCIONES**

## INFORMACIÓN SOBRE EL ENCHUFE POLARIZADO

Algunos aparatos están provistos con un enchufe polarizado (una pata es más ancha que la otra). Para reducir el riesgo de choque eléctrico, este enchufe calza en el tomacorriente polarizado de una sola manera. Si el enchufe no cabe totalmente en el tomacorriente, gire el enchufe. Si aún así no calza, consulte a un servicio técnico cualificado. **No intente anular esta característica de seguridad.**

Para los aparatos provistos con un enchufe clásico, basta con insertar el enchufe en la toma de corriente.

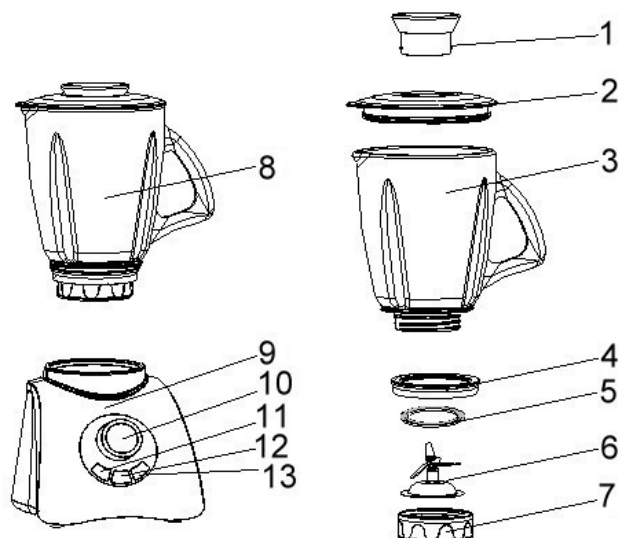
## INSTRUCCIONES DEL CABLE

El cable de alimentación del aparato es un cable corto a fin de disminuir el riesgo de accidentes (caídas al tropezar con él, etc.)

Puede utilizar un alargador si es necesario.

- Asegúrese de que el nivel eléctrico del cable es igual o mayor que el indicado. Una extensión con un bajo nivel eléctrico correría el riesgo de sobrecalentarse y de estropearse.
- Para evitar riesgos colocar de forma tal que los niños no puedan jalarlo o tropezar con él.. Que no arrastre nunca por el suelo.

## PARTES



1. Taza medidora
2. Tapa
3. Jarra de cristal
4. Anillo de montaje
5. Anillo de estanquidad
6. Cuchilla
7. Base de la jarra
8. Conjunto de la jarra
9. Bloqueo motor
10. Botón rotativo de control de la velocidad
11. Botón Pulse
12. Botón Ice
13. Botón Smoothie

## TIEMPO DE UTILIZACIÓN

Este aparato no está concebido para un uso profesional. Para una utilización óptima de su aparato y evitar el deterioro de su motor, el tiempo de utilización continuada máxima es 3 minutos. Después de 3 minutos de uso continuo, es necesario hacer una pausa de utilización de al menos 10 minutos.

## MONTAJE DEL VASO Y USO

### **¡CUIDADO!**

Su aparato está equipado de un dispositivo de seguridad; este sistema permite el funcionamiento del aparato solamente cuando esté correctamente junto sobre el bloque motor. Si esta condición no está satisfecha y que su aparato no arranca, diríjase al servicio postventa más cercano.

***Si las cuchillas están desmontadas, véase la sección de limpieza antes de continuar.***

- Presione el anillo de montaje en el fondo de la jarra de cristal.
- Ponga el anillo de estanquidad de silicona en la extremidad interior del conjunto de las cuchillas.
- Ponga el conjunto de las cuchillas con el anillo de estanquidad en la base de la jarra.
- Junte el vaso graduado con el bloque motor girándolo en el sentido de las agujas del reloj e compruebe que esté instalado correctamente. Si no es el caso, el aparato no funcionará correctamente.
- Quite la tapa.
- Introduzca los ingredientes en el vaso.
- Cierre la tapa. Ponga la taza medidora en el hueco de la tapa y gire en el sentido de las agujas del reloj.
- Enchufe el aparato.
- Elija la velocidad deseada, con el selector rotativo situado en la base del motor.

### **Función Pulse**

La posición "P" (Pulse) es especial puesto que el selector debe mantenerse manualmente pulsado para su funcionamiento. Esta posición se utiliza generalmente para picar el hielo con el fin de evitar que las cuchillas se estropeen, pero también puede ser usado para terminar una batida. El aparato funciona a gran velocidad mientras sigue pulsando el botón. Este botón es previsto sólo para brotes de potencia, no para uso continuo. Puede dañar su aparato si utiliza la función Pulse de manera continua.

### **Función Smoothie**

Presione el botón smoothie y el aparato continuará a funcionar con gran velocidad. Después de haber presionado el botón Smoothie otra vez, el aparato dejará de funcionar y los tres testigos luminosos se encenderán.

### **Función triturar hielo**

Su aparato está equipado con 6 cuchillas y es perfectamente adaptado por triturar hielo. Pulse el botón "hielo", el aparato funciona una segunda en modo triturar y después se para durante media segunda. El testigo luminoso está encendido, los dos demás están apagados. Una vez alcanzado el nivel de tritura deseada, presione el botón "ice" otra vez. El aparato dejará de funcionar y los tres testigos luminosos se encenderán.

Nota: estos tres botones pueden presionarse en cualquier momento, cual sea la opción elegida. La velocidad de rotación está predeterminada en la fábrica, y el control de velocidad de la rotación está desactivado si elige la función "triturar hielo" o "Smoothie". El aparato siempre funciona a gran velocidad en estos casos.

- Líquidos u otros ingredientes pueden ser añadidos mientras la trituradora esta funcionando. Para ello retire el capuchón que cierra la abertura de la tapa, girándola de forma que se pueda quitar verticalmente.
- Una vez terminada la preparación, pare el aparato y desenchúfelo.
- Para servir retire el vaso del bloque motor. Retire la tapa y sirva su contenido.

### **Ajuste manual de la velocidad**

Gire el botón rotativo de la posición "MIN" a la posición "MAX" y elija la velocidad deseada. El aparato funciona de velocidad baja a velocidad alta.

Con el ajuste manual de la velocidad, las funciones "botón hielo", "botón smoothie" y "botón pulse" están desactivadas.

- El aparato deja de funcionar si el corriente está encima del límite y si el testigo luminoso de botón "pulse" parpadea, presione el botón "pulse" otra vez y el aparato seguirá funcionando.

- Cual sea el modo de funcionamiento del aparato, levante la jarra de cristal del bloqueo del motor para parar el aparato. Para que funcione de nuevo el aparato, ponga el botón rotativo de velocidad en posición "OFF", coloque otra vez la jarra, elija la posición "ON" y elija una función o gire el botón rotativo para elegir una velocidad.

## **LIMPIEZA**

- Desenchufe siempre el aparato antes de limpiarlo.
- Para un enjuagado rápido del vaso (entre dos preparaciones por ejemplo), ponga agua caliente en el aparato y póngalo en marcha durante unos instantes, pero sin utilizar detergente.
- Para una limpieza completa del vaso graduado, sáquelo del bloque motor y gire el soporte de las cuchillas en el sentido inverso de las agujas del reloj por debajo del vaso para desmontarlo (esto le facilitará la limpieza). Puede lavar el conjunto con agua jabonosa, y enjuagar en abundancia con agua clara. Haga secar antes de juntar de nuevo el conjunto. Para eso, tiene que atornillar el soporte de hojas girándolo en el sentido de las agujas del reloj en el fondo del vaso graduado (apriete enérgicamente para evitar goteras). Procure no extravíar la junta de estanqueidad durante esta operación.
- El bloque motor no tiene que ser limpiado más que con un trapo húmedo.
- La jarra de vidrio esta hecha para soportar cambios bruscos de temperatura de hasta 50°C/125°F. Mas después de realizar una preparación de congelados (granizado, milk shake), es especialmente importante que no se enjuague inmediatamente la jarra con agua caliente o hirviendo. De la misma manera, después de una preparación caliente, como la sopa, es importante que no se enjuague la jarra de vidrio con agua fría inmediatamente después, ya que esta podría quebrarse.



## **GARANTÍA**

Le sugerimos rellenen y nos envíen rápidamente la Carta de Registro de Producto adjunto para facilitar la verificación de la fecha de compra. Por lo tanto, la devolución de esa Carta de Registro de Producto no es una condición imprescindible para la aplicación de esa garantía. Puede también rellenar esa carta de garantía en línea a la dirección siguiente : **[www.KALORIK.com](http://www.KALORIK.com)**

A partir de la fecha de compra, ese producto KALORIK está garantizado un año contra los defectos materiales y de fabricación. Esa garantía no es transferable. Conserve la prueba de compra original. Se exige una prueba de compra para obtener la aplicación de la garantía.

Durante ese período, el producto KALORIK que, después de una inspección por parte de KALORIK, se revela defectuoso, será reparado o reemplazado, según lo que decide KALORIK, sin gastos por el consumidor. Si se envía un producto de reemplazamiento, se aplicará la garantía que queda del producto original.

Esa garantía no se aplica a los defectos debidos a una mala utilización por parte del comprador o del utilizador, a una negligencia, al no respeto del manual de instrucciones KALORIK, a una utilización en un circuito eléctrico cuyo voltaje es diferente de el que figura en el producto, a un desgaste normal, a modificaciones o reparaciones no autorizadas por KALORIK, o a un uso con fines comerciales. No existe garantía por las partes de cristal, jarras de cristal, filtros, cestos, hojas y accesorios en general. No existe tampoco garantía por las piezas perdidas por el utilizador.

Toda garantía de valor comercial o de adaptabilidad a ese producto está limitada a un año también.

Algunos estados no ponen límites a la duración de la garantía tácita o no autorizan la exclusión de daños y perjuicios accesorios o indirectos, se puede que las restricciones anteriormente mencionadas no se apliquen a Usted. Esa garantía le da derechos legales particulares y algunos derechos pueden variar de un estado a otro.

Si el aparato tuviera un defecto durante el periodo de garantía y más de 30 días después de que se compró, no devuelva el aparato en la tienda donde le compró : a menudo, nuestro Servicio al Consumidor puede ayudar a resolver el problema sin que el producto tuviera que estar reparado. Si hace falta una reparación, un representante puede confirmar si el producto está bajo garantía y dirigirle al servicio post-venta lo más próximo.

Si fuera el caso, traiga el producto (o envíalo, correctamente franqueado) así que **una prueba de compra** que menciona el **número de autorización de retorno**, indicado por nuestro Servicio al Consumidor, al servicio post-venta KALORIK lo más próximo. (Visite nuestro sitio internet [www.KALORIK.com](http://www.KALORIK.com) o llame al Servicio al Consumidor para obtener la dirección del Servicio post-venta KALORIK exclusivo lo más próximo).

Si envía el producto, le rogamos añadan una letra que explica el defecto.

Si tiene preguntas adicionales, por favor llame al Servicio al Consumidor (véase abajo para los datos completos), de lunes a viernes, de las 9 a las 18 (EST). Note que las horas pueden ser modificadas.

Si quiere escribirnos, puede hacerlo a la dirección siguiente :

**KALORIK Servicio al Consumidor**

Team International Group of America Inc  
1400 N.W 159th Street, Suite 102  
Miami Gardens, FL 33169 USA

O llame gratuitamente al +1 888-521-TEAM

**Sólo las letras se aceptan en la dirección anteriormente mencionada. Los envíos y paquetes que no tienen número de autorización de retorno serán rechazados.**



**K090602**

**[www.KALORIK.com](http://www.KALORIK.com)**



Back cover page (last page)

Assembly page 20/20